

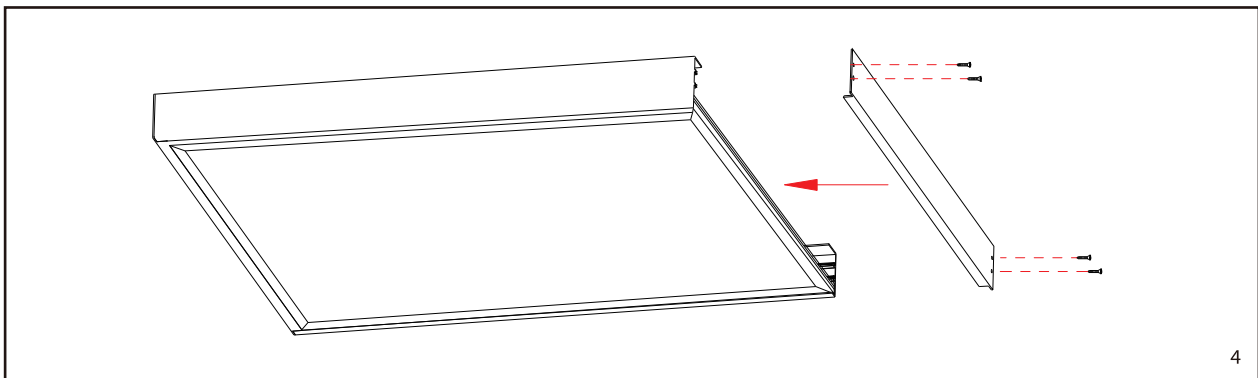
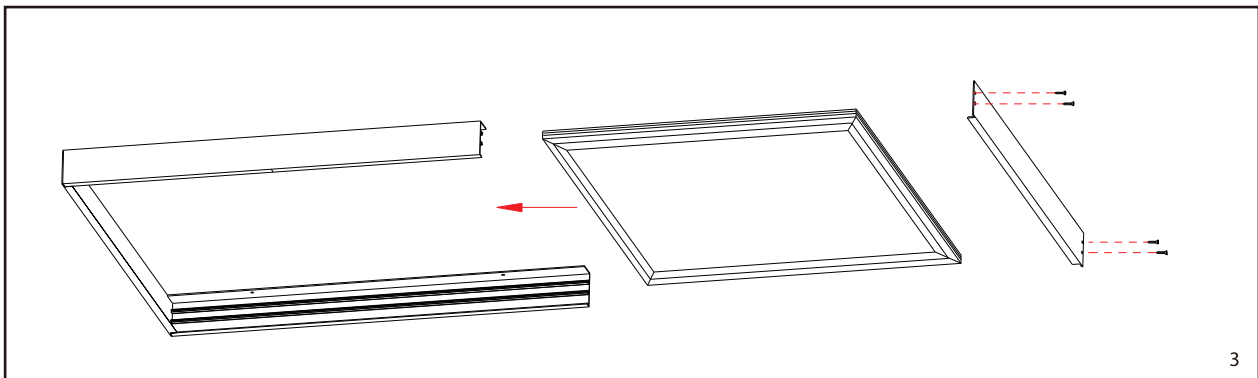
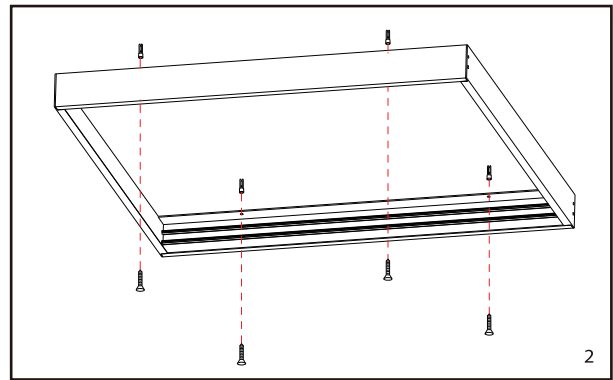
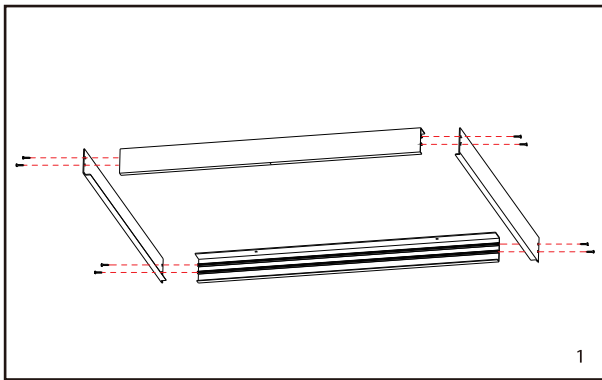
# SURFACE-MOUNTED

## Instruction manual

PLEASE READ INSTRUCTION BEFORE COMMENCING INSTALLATION AND RETAIN FOR FUTURE REFERENCES.  
! Electrical products can cause death or injury, or damage to property. If in any doubt about the installation or use of this product, consult a competent electrician

- 1 Put the four peices of frame together and fix them by screws.
- 2 Fix the frame onto the wall by screws.
- 3 Dismantle one piece of frame and put the LED panel into the frame.
- 4 Fix the frame by putting back the dismantled part.

Note: The drivers and connector must be fixed to the back of LED panel by adhesive tape.



The Installation must be carried out by an electrician